



Kanlux - DB104S 1X4P/SMD 4-module distribution board - Ref: 3830



Product price:

€10.48 tax included

Product codes:

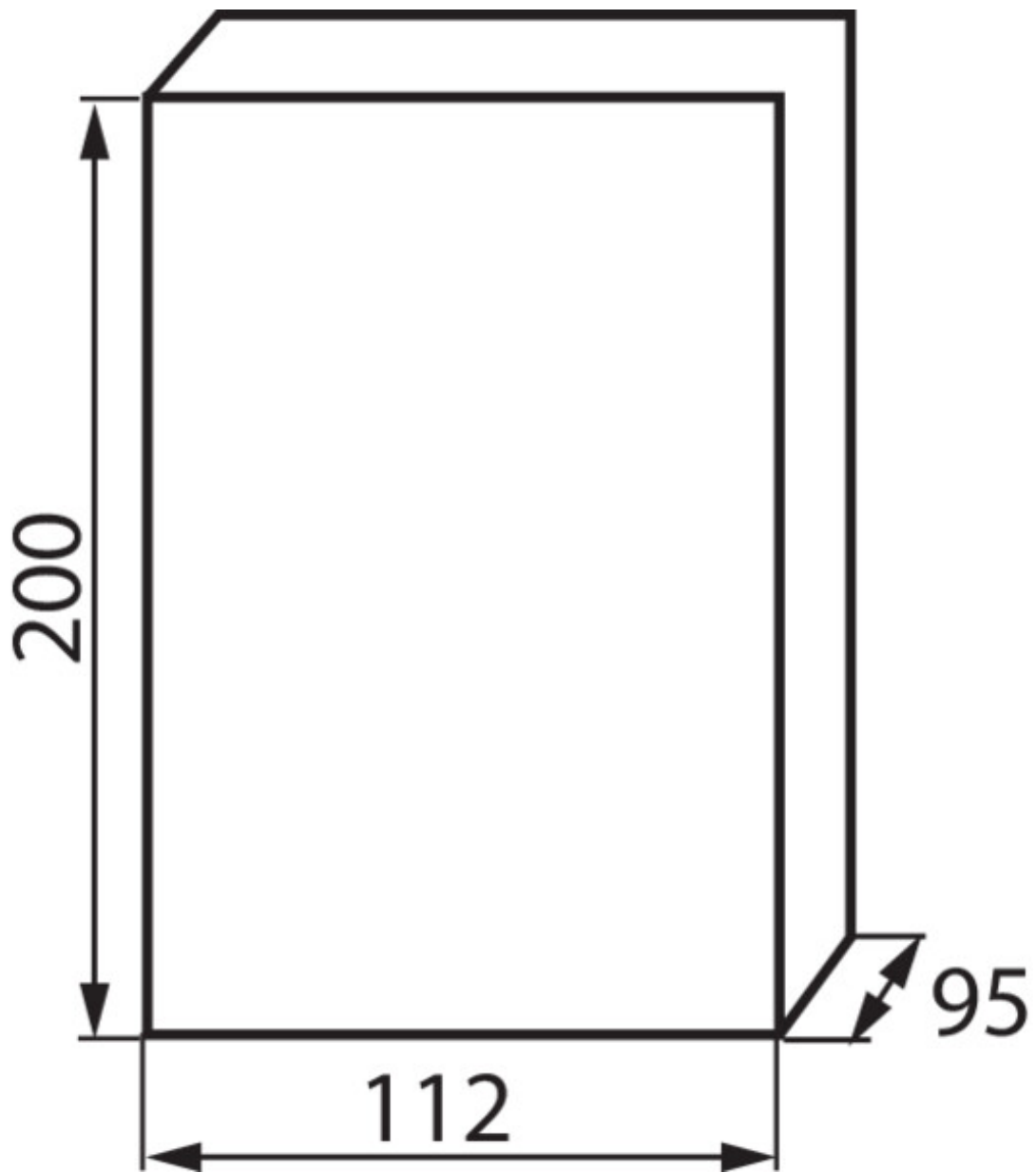
Reference: 3830

EAN13: 5905339038302

UPC: -

Product short description:

-



Product gallery:

